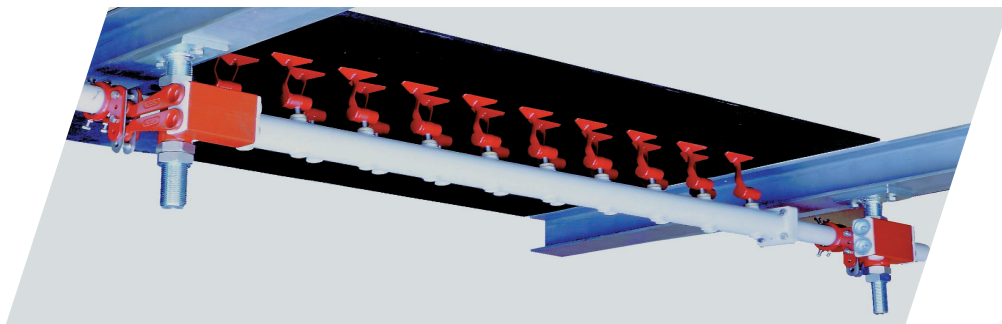
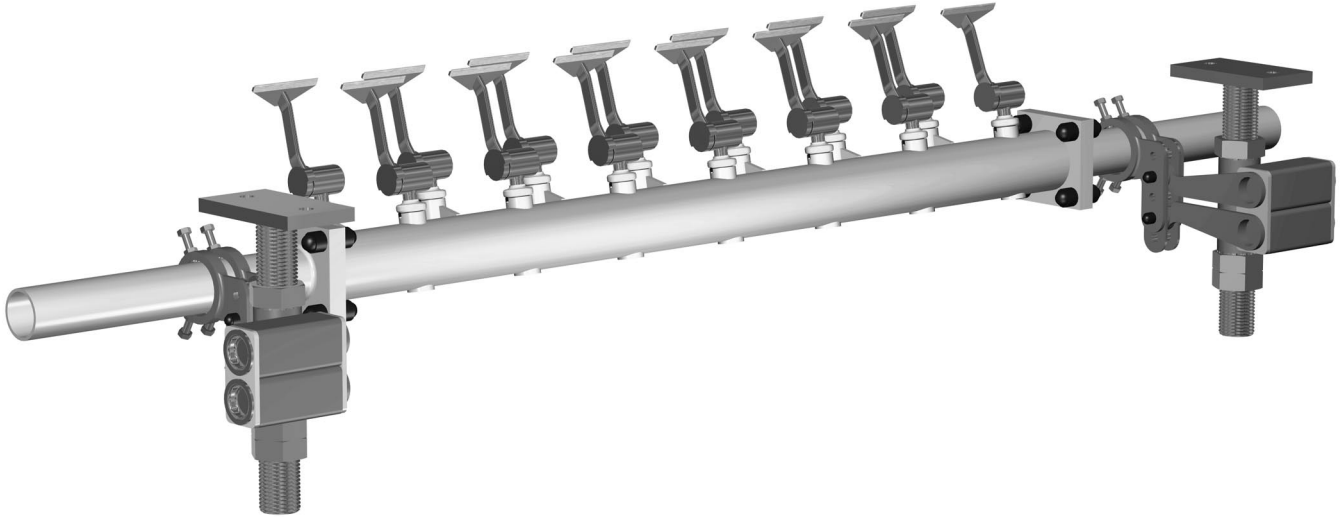


**HOSCH  
SPRUNG  
BLADE  
SCRAPERS**



TYPE **C3**



**Type C3**  
**The new dimension**  
**for larger conveyor belts -**  
**Extending the advanced**  
**technology**

| Belt width | Cleaning width | Modules | Assembly carrier length | Assembly carrier midsection length | Parallel elasto-mount | Spindle |
|------------|----------------|---------|-------------------------|------------------------------------|-----------------------|---------|
| mm         | mm             | Qty.    | mm                      | mm                                 | Type                  | Type    |
| 1600       | 1485           | 14      | 3005                    | 1575                               | E                     | M60     |
| 1800       | 1695           | 16      | 3215                    | 1785                               |                       |         |
| 2000       | 1905           | 18      | 3425                    | 1995                               |                       |         |
| 2200       | 2010           | 19      | 3530                    | 2100                               |                       |         |
| 2400       | 2220           | 21      | 3740                    | 2310                               |                       |         |
| 2600       | 2430           | 23      | 3950                    | 2520                               | F                     |         |
| 2800       | 2640           | 25      | 4160                    | 2730                               |                       |         |
| 3000       | 2850           | 27      | 4370                    | 2940                               |                       |         |
| 3200       | 3060           | 29      | 4580                    | 3150                               |                       |         |

- The HOSCH Sprung Blade Scraper, Type C3, with self-adjustment aligns itself automatically according to the belt thickness / profile.
- The matching components of the construction kit can be assembled as required.
- The scraper system offers easy assembly on site and flexibility to suit any conveyor frame.
- The modules offer maintenance-free self-adjustment and push-in fastening.
- Type C3 means greatly improved HOSCH precision cleaning with a compact unit and more user-friendly.

**HOSCH Sprung Blade Scraper**  
**Reliable state of the art**

- Unsurpassed cleaning efficiency
- Installed in all industrial sectors
- Low operating costs

**HOSCH (GB) Ltd**  
 97, Sadler Forster Way  
 Thornaby, Teesside, TS17 9JY (UK)  
 Tel: +44 (0) 1642 751 100  
 Fax: +44 (0) 1642 751 448  
 eMail : mail@hosch.co.uk

Sales Office



INVESTOR IN PEOPLE



CERTIFICATE NO. 880214