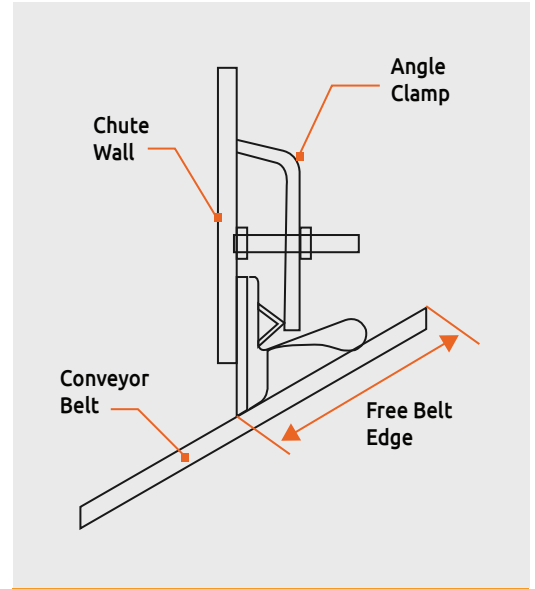


Tega Single-Wing Skirt Sealing is a dual sealing system. It maintains an effective seal reducing the efforts of servicing. The clamp presses the pre-seal against the chute wall while the main-wing seal which can self adjust itself creates an effective dust sealing.



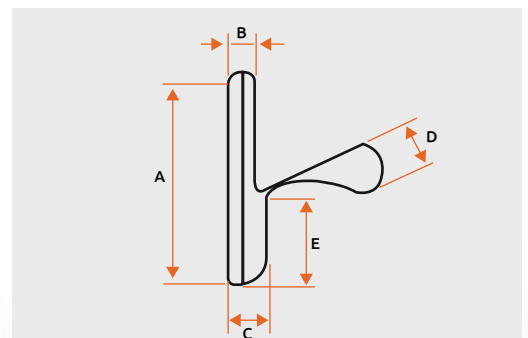
Free belt edge Diagram

Minimum Free Belt Edge			
Troughing Angle	Normal Duty (mm)	Medium Duty (mm)	Heavy Duty (mm)
0°	99	93	NA
20°	136	101	116
30°	128	112	120
40°	140	132	126

Features

- ✓ Longer life due to higher wear length. Varies from 38mm to 45mm depending on the variant.
- ✓ Better sealing against dust emission due to its overlapping dual sealing design.
- ✓ Gentle on the belt as it has a maximum hardness of 60±5 Shore A.
- ✓ Easy to install as it comes in 500mm segmented length.
- ✓ Quick & hassle free maintenance due to simple operation of the clamping system.

Dimensional Details



*Dimension	A	B	C	D	E
Normal Duty	112	14	20	25	45
Medium Duty	170	15	20	25	50
Heavy Duty	170	15	30	25	44

*All dimensions are in mm.

