

CentTrax®



Belt Tracking Systems

Your Belt Back on Track

Less
Spillage,
More
Performance

CenTrax brings **Your Belt Back on Track.**

A mistracked belt may lead to many problems including belt damage, conveyor frame damage & spillage of material on the floor leading to unsafe working environment.

The 3rd generation CenTrax belt tracking system comes with two tapered side rollers which make it sensitive to even slightest belt sway. The two-bearing pivot system allows the entire Tracker roller to swivel & bring the misaligned belt back on track. The design of the Trackers is such that it does not encourage any 90° contact with the belt. Adding to that are the diamond grooved rubber lagging on the rollers which can generate a higher traction force to track the misaligned belt.

By keeping the belt on the track, CenTrax prevents unscheduled shutdowns & improve the uptime of the conveyor system. Even under the most extreme conditions, the belt will always remain on the right track regardless of the direction of the belt travel.

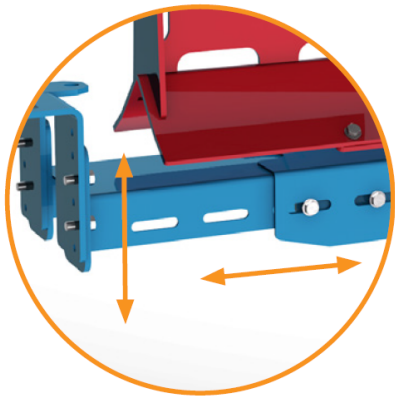
Features

- Separately replaceable rollers provide easy & cost effective maintainability.
- Design ensures no 90° contact with the belt edge.
- Tapered side rollers make CenTrax sensitive to slightest belt sway.
- The two bearing pivot system makes it suited for heavy duty conditions.
- Rubber lagged & diamond grooved rollers generate higher traction force.
- Ability to adjust vertically, horizontally & to the trough angle makes it easy to install.



Tracker Rollers

- **Wear Resistant**-The steel rollers are autoclaved with 8mm thick, highly wear-resistant rubber. This process gives a permanent and jointless bond between rubber & steel roller body. Rollers with polyurethane lagging are available for application where high durability is required.
- **Perfect grip**- The Rubber lagged & diamond-grooved rollers guarantee a perfect grip with the belt.

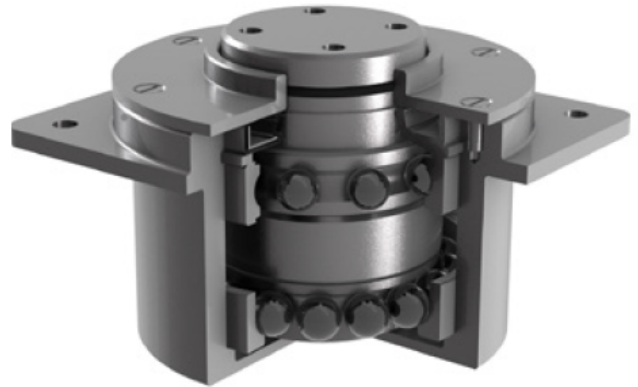


System Carrier

- Manufactured with high strength steel
- Powder coated/painted/hot dip galvanised
- Variably adjustable in width and height

Swivel Bearing

- A self-lubricating angular contact and a deep groove ball bearing
- Extremely smooth running
- Oil-bath lubricated bearings
- Resistant to dirt, dust & moisture
- Maintenance-free
- Extremely long life



Special Models

For use in special conditions when the belt is dirty, the inverted return model is fitted on the upper side of the return belt & brings the belt back of track. For V-return belts, CentTrax V-return model is a four roller design with two straight middle rollers & two conical rollers, that work constantly to control belt sway.



Trough Arrangement

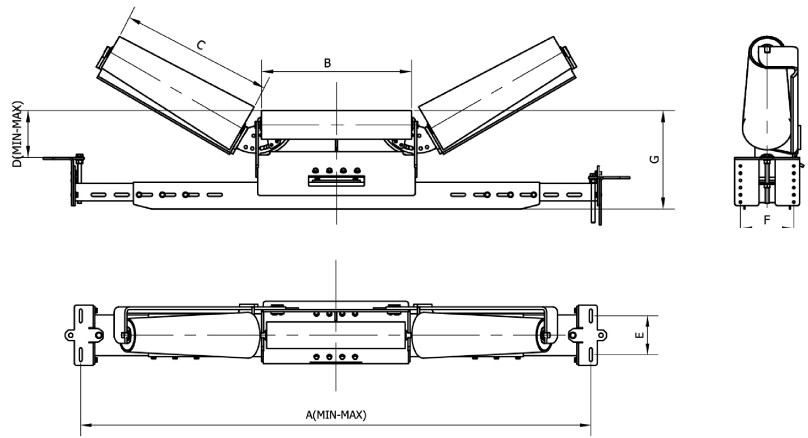
CentTrax uses a minimum of three tracker rollers: one central roller & two tapered tracker rollers. The trough angle of the tapered rollers in the load carrying strand models can be set to any angle from 0°-45°.



Why CenTrax

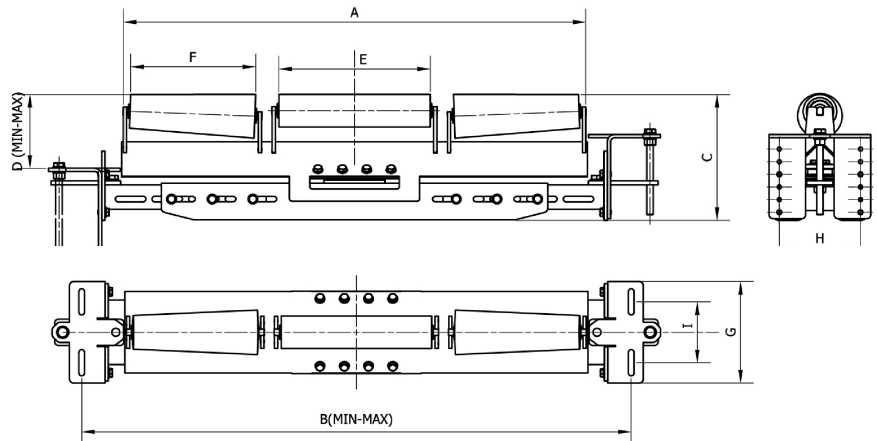
- No Belt sway
- No damaged belt edges
- No damaged structures
- No damaged scraper
- No Unscheduled shutdown

Trough Trackers



TYPE	BELT WIDTH	A min	A max	B	C	D min	D max	E	F	G	WEIGHT (kg)
SK 600	600	835	1036	242	242	16	169	150	200	281	59
SK 650	650	960	1160	242	242	96	226	150	200	281	60
SK 800	800	1104	1216	307	307	72	169	150	200	281	63
SK 1000	1000	1254	1556	372	372	71	169	150	200	281	73
SK 1100	1100	1220	1356	370	370	71	170	150	200	281	73
S 1200	1200	1430	1928	441	449	196	286	150	200	423	154
S 1400	1400	1730	2032	506	514	142	277	180	230	423	173
S 1600	1600	1874	2180	576	584	196	286	180	230	423	187
S 1800	1800	2090	2390	646	654	201	286	180	230	423	200
S 2000	2000	2530	2832	746	752	142	287	180	230	423	320

Return Trackers



TYPE	BELT WIDTH	A	B min	B max	C	D min	D max	E	F	G	H	I	WEIGHT (kg)
SKO 600	600	683	846	1026	300	36	170	170	200	250	200	150	54
SKO 650	650	784	960	1160	308	98	186	190	242	250	200	150	58
SKO 800	800	936	1208	1408	307	98	186	307	242	250	200	150	64
SKO 1000	1000	1137	1358	1558	307	98	186	372	307	250	200	150	70
SKO 1100	1100	1223	1452	1570	309	98	186	372	372	250	200	150	72
SO 1200	1200	1353	1632	1832	454	176	307	468	360	280	230	180	140
SO 1400	1400	1542	1758	2032	455	173	308	441	449	280	230	180	147
SO 1600	1600	1720	1980	2182	460	177	308	506	514	280	230	180	159
SO 1800	1800	1930	2180	2380	463	177	308	576	584	280	230	180	170
SO 2000	2000	2186	2530	2832	463	182	316	441	514	280	230	180	244

All dimensions are in mm

Tega Industries Limited

147, Block - G, New Alipore, Kolkata 700 053, India.

Phone: +91 33 4001 8600, 2478 3356 | Fax: +91 33 2478 3649

Email: info@tegaindustries.com | Web: www.tegaindustries.com



PARTNERSHIPS IN PRACTICE